

170ADO35000C

odvojeni izlazni modul Modicon Momentum -
Konformna obloga – 32 I poluvodič



Glavno

Range of product	Modicon Momentum automation platform
Product or component type	Discrete output base DC
Group of channels	2 groups of 16 outputs
Discrete output number	32
Discrete output type	Solid state switch
Discrete output voltage	24 V DC
Current per channel	<= 0.5 A
Short-circuit protection	Outputs electronically protected
Protective treatment	Conformal coating Humiseal 1A33 TC

Komplementarno

[Ue] rated operational voltage	24 V DC
Discrete output current	16 A per module 8 A per group
Leakage current	< 1 mA 24 V DC
Surge current	5 A 1 ms
Voltage drop	< 0.5 V 0.5 A at state 1
Output overload protection	Outputs electronically protected
Response time	0.1 ms from state 0 to state 1 0.1 ms from state 1 to state 0
Isolation between channels and bus	500 V AC
Power dissipation	6 W typical 7.5 W maximum
Marking	CE
Local signalling	32 LEDs channel status
Current consumption	250 mA 24 V DC
Terminals description PLC n°1	(1)OUT_DIS#1 (10)OUT_DIS#10 (11)OUT_DIS#11 (12)OUT_DIS#12 (13)OUT_DIS#13 (14)OUT_DIS#14 (15)OUT_DIS#15 (16)OUT_DIS#16 (2)OUT_DIS#2 (3)OUT_DIS#3 (4)OUT_DIS#4 (5)OUT_DIS#5 (6)OUT_DIS#6 (7)OUT_DIS#7 (8)OUT_DIS#8 (9)OUT_DIS#9 (L+)PW_POS (M-)PW_NEG TB
Terminals description PLC n°2	(1)OUT_DIS#17 (10)OUT_DIS#26 (11)OUT_DIS#27 (12)OUT_DIS#28 (13)OUT_DIS#29 (14)OUT_DIS#30 (15)OUT_DIS#31 (16)IN_DIS#32 (1L+)PW_POS (2)OUT_DIS#18

Informacije dane u ovoj dokumentaciji sadrže opće opise i/ili tehničke karakteristike o performansama ovdje sadržanih proizvoda.
Ova dokumentacija nije namijenjena kao zamjena za niti bi se trebala koristiti za određivanje prikladnosti ili pouzdanosti predmetnih proizvoda za konkretne korisničke primjene.
Svaki takav korisnik ili integrator dužan je provesti odgovarajuću i popunnu analizu rizika, procjenu i ispitivanje proizvoda u odnosu na odgovarajuću specifičnu primjenu ili uporabu istog.
Niti društvo Schneider Electric Industries SAS niti bilo koje od njegovih povezanih poduzeća ili podružnica neće preuzeti obvezu ili snositi odgovornost za pogrešnu upotrebu ovdje sadržanih informacija.

(2L+)PW_POS
 (3)OUT_DIS#19
 (4)OUT_DIS#20
 (5)OUT_DIS#21
 (6)OUT_DIS#22
 (7)OUT_DIS#23
 (8)OUT_DIS#24
 (9)OUT_DIS#25
 TB_1

Depth	47.5 mm
Height	141.5 mm
Width	125 mm
Product weight	0.21 kg

Okolina

product certifications	CSA UL
resistance to electrostatic discharge	4 kV contact IEC 801-2 8 kV on air IEC 801-2
resistance to electromagnetic fields	10 V/m 80...1000 MHz IEC 801-3
ambient air temperature for operation	0...60 °C
ambient air temperature for storage	-40...85 °C
relative humidity	95 % without condensation
operating altitude	<= 5000 m

Offer Sustainability

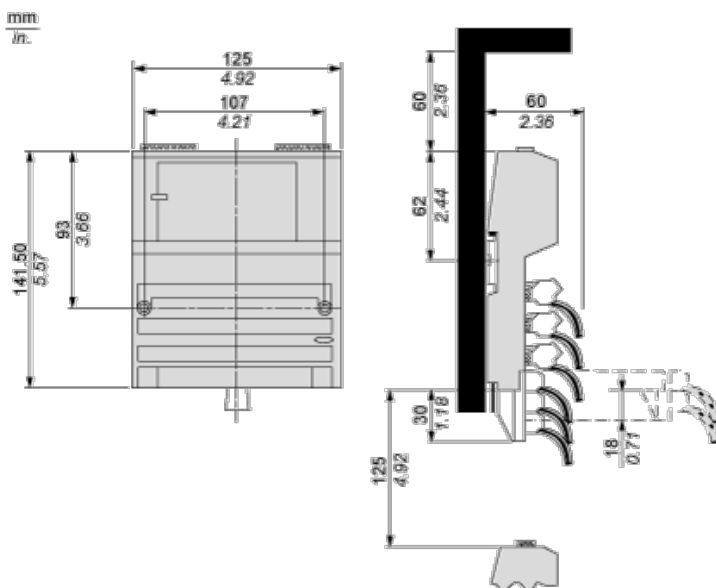
Not Green Premium product	Not Green Premium product
Will be Compliant on 4Q2013	Will be Compliant on 4Q2013 Will be Compliant on 4Q2013

Contractual warranty

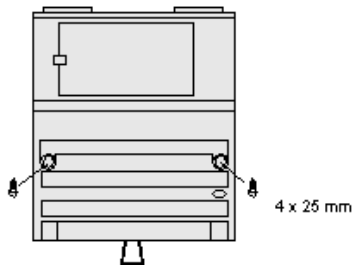
Warranty period	18 months
-----------------	-----------

Standard Adapter on a Typical Base

Dimensions

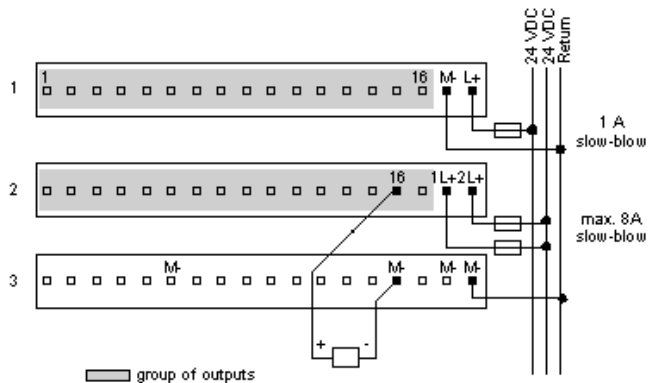


Mounting on a Wall

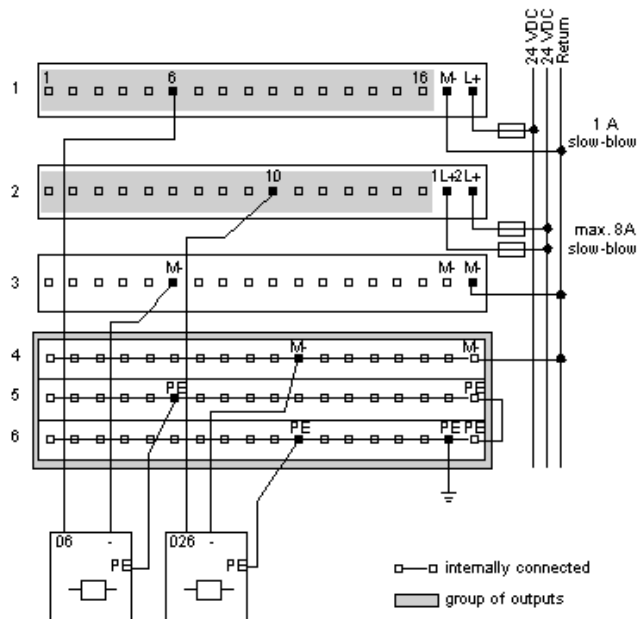


External Wiring Diagrams

2-Wire Actuator



3-Wire Actuators



Internal Pin Connections

Rows 1 through 3 show the internal connections between terminals on the I/O base. Rows 4 through 6 show the internal connections on the optional busbar.

