

170ADM54080

Modicon Momentum - U/I baza modula Modbus - 6
U / 3 I



Glavno

| | |
|-----------------------------|---|
| Range of product | Modicon Momentum automation platform |
| Product or component type | Modbus I/O module base |
| Group of channels | 1 group of 3 discrete outputs 1 group of 6 discrete inputs |
| Discrete input number | 6 |
| Discrete output number | 3 |
| Number of port | 1 |
| Communication port protocol | Modbus |
| Wiring mode | 2 or 4 wires |

Komplementarno

| | |
|------------------------------|--|
| Discrete input logic | Positive |
| Discrete input voltage | 0...132 V AC 120 V AC 47...63 Hz |
| Input overvoltage protection | 200 V |
| Voltage state 1 guaranteed | >= 79 V |
| Voltage state 0 guaranteed | <= 20 V |
| Current state 1 guaranteed | >= 5.5 mA |
| Current state 0 guaranteed | <= 1.9 mA |
| Discrete output logic | Positive |
| Discrete output voltage | 120 V 47...63 Hz |
| Discrete output current | 0.5 mA per point 1.5 mA per module |
| Voltage drop | < 1.5 V 0.5 A at state on |
| Leakage current | 1.9 mA AC 120 V |
| Surge current | >= 30 mA |
| Response time | < 12.3 ms 60 Hz from state 1 to state 0 input circuit < 12.3 ms 60 Hz from state 1 to state 0 output circuit < 12.5 ms 60 Hz from state 0 to state 1 input circuit < 12.5 ms 60 Hz from state 0 to state 1 output circuit |
| Communication port support | RS485 |
| Transmission rate | 19200 bit/s 9600 bit/s |
| Data format | 7-bit ASCII 8-bit RTU |
| Number of addresses | 0...247 |
| Port timeout | 150 ms |
| Marking | CE |
| Electrical connection | 2 connectors for removable terminal blocks |
| Current consumption | 125 mA 120 V |
| Product weight | 0.24 kg |

Okolina

| | |
|---------------------------------------|------------------------|
| product certifications | CSA UL |
| protective treatment | TC |
| resistance to electrostatic discharge | 4 kV contact IEC 801-2 |

Informacije dane u ovoj dokumentaciji sadrže opće opise i/ili tehničke karakteristike o performansama ovdje sadržanih proizvoda.
 Ova dokumentacija nije namijenjena kao zamjena za niti bi se trebala koristiti za određivanje prikladnosti ili pouzdanosti predmetnih proizvoda za konkretne korisničke primjene.
 Svaki takav korisnik ili integrator dužan je provesti odgovarajuću i potpunu analizu rizika, procjenu i ispitivanje proizvoda u odnosu na odgovarajuću specifičnu primjenu ili uporabu istog.
 Niti društvo Schneider Electric Industries SAS niti bilo koje od njegovih povezanih poduzeća ili podružnica neće preuzeti obvezu ili snositi odgovornost za pogrešnu upotrebu sadržanih informacija.

| | |
|---------------------------------------|--------------------------------|
| | 8 kV on air IEC 801-2 |
| resistance to electromagnetic fields | 10 V/m 80...1000 MHz IEC 801-3 |
| ambient air temperature for operation | 0...60 °C |
| ambient air temperature for storage | -40...85 °C |
| relative humidity | 95 % without condensation |
| operating altitude | <= 5000 m |

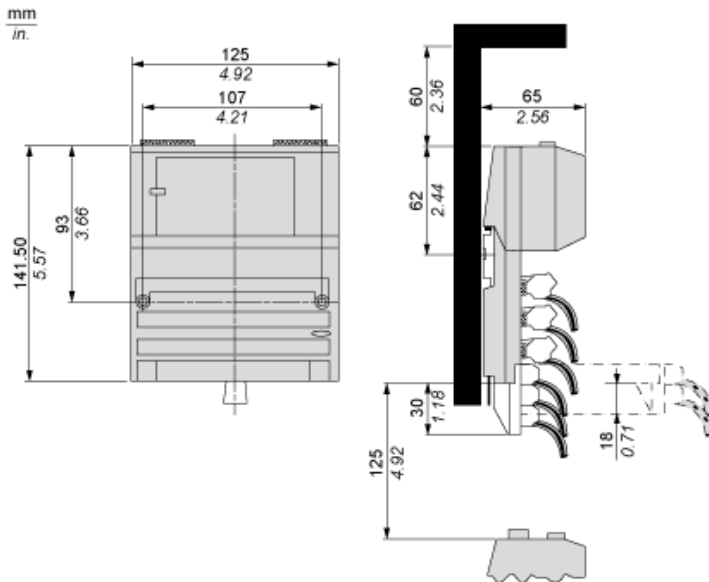
Offer Sustainability

| | |
|---|---|
| Green Premium product | Green Premium product |
| Compliant - since 1350 - Schneider Electric declaration of conformity | Compliant - since 1350 - Schneider Electric declaration of conformity |
| Reference not containing SVHC above the threshold | Reference not containing SVHC above the threshold |
| Available | Available |
| Available | Available |

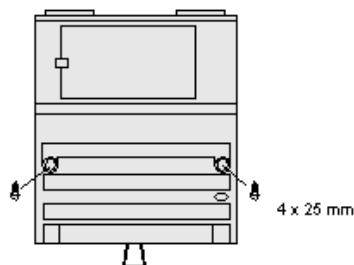
Contractual warranty

| | |
|-----------------|-----------|
| Warranty period | 18 months |
|-----------------|-----------|

Standard Adapter on a Discrete VAC Base

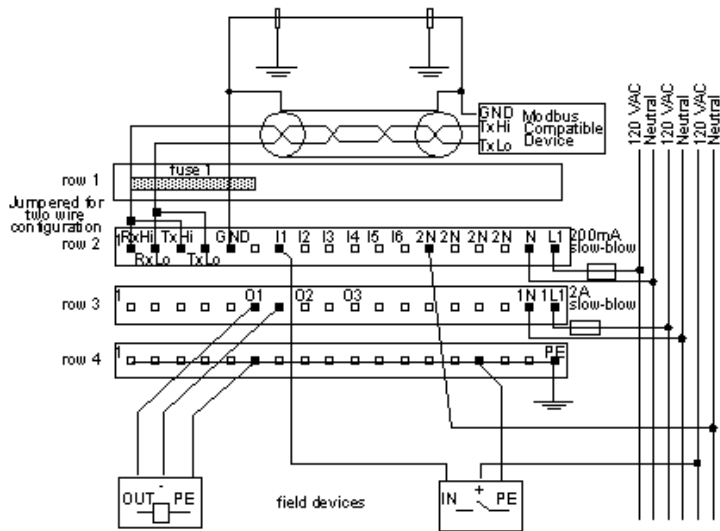


Mounting on a Wall



External Wiring Diagram

2-Wire Devices



Internal Pin Connections

Rows 1 through 3 show the internal connections between terminals on the I/O base. Row 4 shows the internal connections on the optional busbar.

