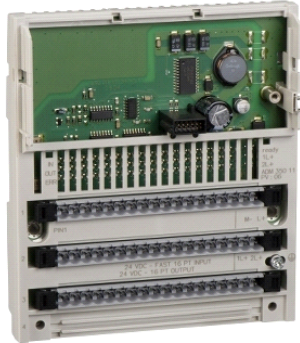


## 170ADM39030C

odvojeni U/I modul Modicon Momentum – Konformna obloga – 10U / 8I relej



### Glavno

Range of product	Modicon Momentum automation platform
Product or component type	Discrete relay I/O base DC
Group of channels	1 group of 10 inputs 2 groups of 4 outputs
Discrete input number	10 IEC 1131-2 Type 1
Discrete input logic	Positive
Discrete input voltage	20...115 V DC
Discrete output number	8
Discrete output type	Relay normally open
Discrete output voltage	20...120 V DC
Protective treatment	Conformal coating Humiseal 1A33

### Komplementarno

[Us] rated supply voltage	24 V DC
Input voltage limits	- 3...30 V
Network frequency	47...63 Hz
Voltage state 0 guaranteed	-3...5 V
Voltage state 1 guaranteed	11...30 V
Current state 0 guaranteed	<= 1.2 mA
Current state 1 guaranteed	>= 2.5 mA
Input resistance	4 kOhm
Discrete output current	<= 0.15 mA 115 V resistive <= 0.2 mA 115 V inductive <= 1 mA 24 V inductive <= 2 mA 24 V resistive >= 0.005 A 24 V
Leakage current	< 1 mA 230 V output circuit
Mechanical durability	<= 30000000 cycles
Electrical durability	<= 100000 cycles inductive
Response time	2.2 ms from state 0 to state 1 on input 3.3 ms from state 1 to state 0 on input 10 ms 60 Hz from state 0 to state 1 on output 10 ms 60 Hz from state 1 to state 0 on output
Isolation between channels and bus	500 V AC
Power dissipation	<= 8.5 W 5.5 W
Protection type	Without protection
Associated fuse rating	<= 4 A fast blow input voltage <= 8 A slow-blow output voltage per group 375 mA fast blow operating voltage
Marking	CE
Terminals description PLC n°1	(1)IN_DIS#1 (10)IN_DIS#10 (1L+)PW_POS (2)IN_DIS#2 (3)IN_DIS#3 (4)IN_DIS#4 (5)IN_DIS#5 (6)IN_DIS#6 (7)IN_DIS#7

Informacije dane u ovoj dokumentaciji sadrže opće opise i/ili tehničke karakteristike o performansama ovdje sadržanih proizvoda. Ova dokumentacija nije namijenjena kao zamjena za niti bi se trebala koristiti za određivanje prikladnosti ili pouzdanosti predmetnih proizvoda za konkretne korisničke primjene. Svaki takav korisnik ili integrator dužan je provesti odgovarajuću i poplunu analizu rizika, procjenu i ispitivanje specifičnu primjenu ili uporabu istog. Niti društvo Schneider Electric Industries SAS niti bilo koje od njegovih povezanih poduzeća ili podružnica neće preuzeti obvezu ili snositi odgovornost za pogrešnu upotrebu ovdje sadržanih informacija.

(8)IN\_DIS#8  
(9)IN\_DIS#9  
(L+)PW\_POS  
(M-)PW\_NEG  
TB

Terminals description PLC n°2	(1)OUT_DIS#1 (1L+)PW (2)OUT_DIS#2 (2L1)PW (3)OUT_DIS#3 (4)OUT_DIS#4 (5)OUT_DIS#5 (6)OUT_DIS#6 (7)OUT_DIS#7 (8)OUT_DIS#8 TB_1
Current consumption	250 mA 24 V DC
Depth	47.5 mm
Height	141.5 mm
Width	125 mm
Product weight	0.26 kg

## Okolina

product certifications	CSA UL
resistance to electrostatic discharge	4 kV contact IEC 801-2 8 kV on air IEC 801-2
resistance to electromagnetic fields	10 V/m 80...1000 MHz IEC 801-3
ambient air temperature for operation	0...60 °C
ambient air temperature for storage	-40...85 °C
relative humidity	95 % without condensation
operating altitude	<= 5000 m

## Offer Sustainability

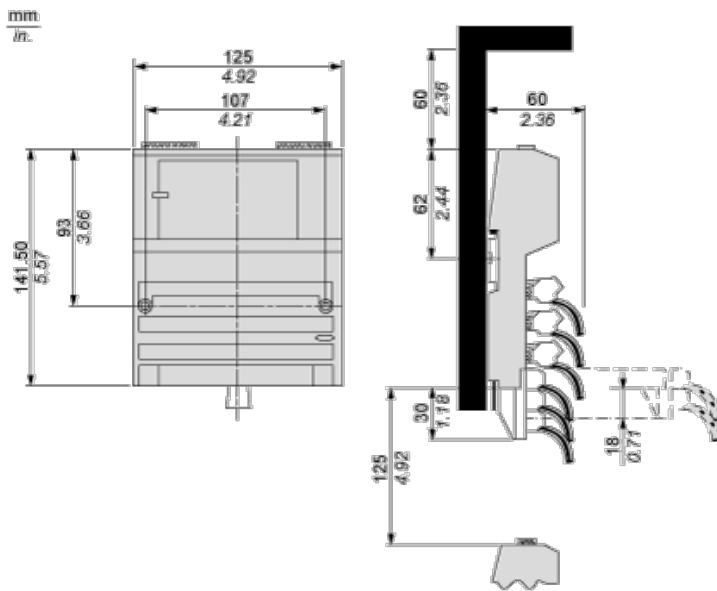
Green Premium product	Green Premium product
Compliant - since 1350 - Schneider Electric declaration of conformity	Compliant - since 1350 - Schneider Electric declaration of conformity
Reference not containing SVHC above the threshold	Reference not containing SVHC above the threshold
Available	Available
Available	Available

## Contractual warranty

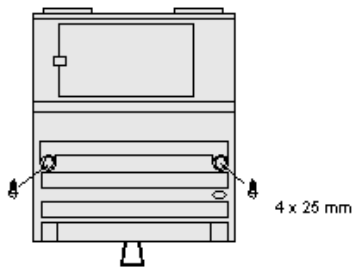
Warranty period	18 months
-----------------	-----------

## Standard Adapter on a Typical Base

### Dimensions

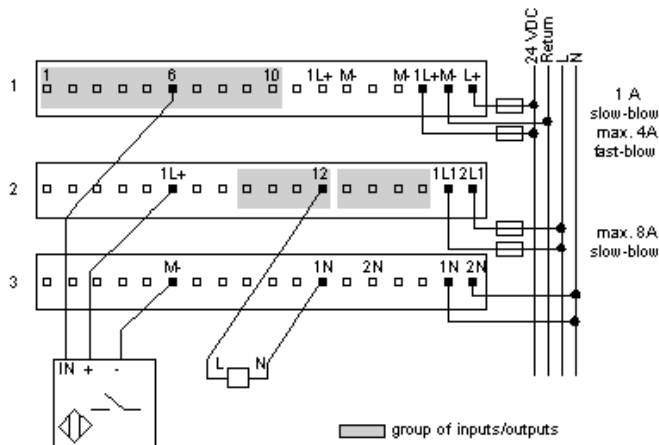


### Mounting on a Wall

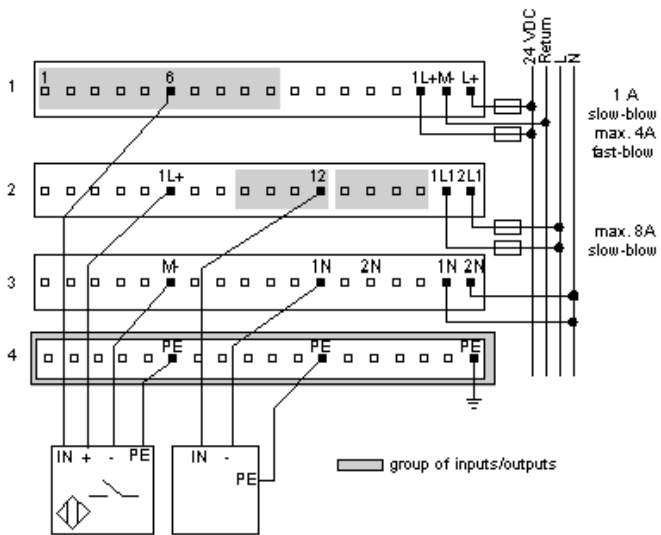


### External Wiring Diagrams

#### 3-Wire Sensor with a 2-Wire Actuator



#### 4-Wire Sensor with a 3-Wire Actuator



### Internal Pin Connections

Rows 1 through 3 show the internal connections between terminals on the I/O base. Row 4 shows the internal connections on the optional busbar.

