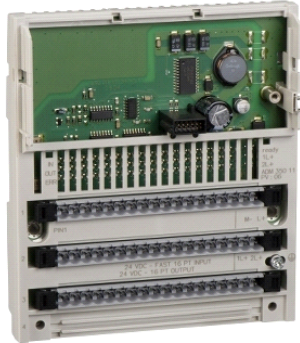


# 170ADM39010

odvojeni U/I modul Modicon Momentum – 16U / 12I  
poluvodič



## Glavno

|                           |  |
|---------------------------|--|
| Range of product          | Modicon Momentum automation platform                                 |
| Product or component type | Discrete solid state I/O base DC                                     |
| Group of channels         | 1 group of 16 inputs<br>1 group of 4 outputs<br>1 group of 8 outputs |
| Discrete input number     | 16 IEC 1131-2 Type 1   |
| Discrete input logic      | Positive   |
| Discrete input voltage    | 24 V DC  |
| Discrete output number    | 12   |
| Discrete output type      | Solid state switch   |
| Discrete output voltage   | <= 30 V DC<br>24 V DC  |
| Discrete output logic     | Positive   |
| Protective treatment      | TC   |

## Komplementarno

|                                    |   |
|------------------------------------|---|
| [Us] rated supply voltage          | 24 V DC   |
| Input voltage limits               | - 3...30 V  |
| Voltage state 0 guaranteed         | -3...5 V  |
| Voltage state 1 guaranteed         | 11...30 V   |
| Current state 0 guaranteed         | <= 1.2 mA   |
| Current state 1 guaranteed         | >= 2.5 mA<br>6 mA 24 V  |
| Input resistance                   | 4 kOhm  |
| Discrete output current            | 2 A per group of 4 outputs<br>8 A per module<br>0.5 A per point<br>4 A per group of 8 outputs   |
| Leakage current                    | < 1 mA 24 V output circuit  |
| Fault type                         | Broken wire on input circuit<br>Overload on output  |
| Response time                      | < 0.1 ms from state 0 to state 1 on output<br>< 0.1 ms from state 1 to state 0 on output<br>2.2 ms from state 0 to state 1 on input<br>3.3 ms from state 1 to state 0 on input                                |
| Isolation between channels and bus | 500 V AC  |
| Power dissipation                  | <= 10 W<br>6.5 W  |
| Marking                            | CE  |
| Terminals description PLC n°1      | (1)IN_DIS#1<br>(10)IN_DIS#10<br>(11)IN_DIS#11<br>(12)IN_DIS#12<br>(13)IN_DIS#13<br>(14)IN_DIS#14<br>(15)IN_DIS#15<br>(16)IN_DIS#16<br>(2)IN_DIS#2<br>(3)IN_DIS#3<br>(4)IN_DIS#4<br>(5)IN_DIS#5<br>(6)IN_DIS#6 |

Informacije dane u ovoj dokumentaciji sadrže opće opise i/ili tehničke karakteristike o performansama ovdje sadržanih proizvoda.  
Ova dokumentacija nije namijenjena kao zamjena za niti bi se trebala koristiti za određivanje prikladnosti ili pouzdanosti predmetnih proizvoda za konkretne korisničke primjene.  
Svaki takav korisnik ili integrator dužan je provesti odgovarajuću i poplunu analizu rizika, procjenu i ispitivanje proizvoda u odnosu na odgovarajuću specifičnu primjenu ili uporabu istog.  
Niti društvo Schneider Electric Industries SAS niti bilo koje od njegovih povezanih poduzeća ili podružnica neće preuzeti obvezu ili snositi odgovornost za pogrešnu upotrebu ovdje sadržanih informacija.

|                               |  |
|-------------------------------|--|
|                               | (7)IN_DIS#7<br>(8)IN_DIS#8<br>(9)IN_DIS#9<br>(L+)PW_POS<br>(M-)PW_NEG<br>TB  |
| Terminals description PLC n°2 | (1)OUT_DIS#1<br>(10)OUT_DIS#10<br>(11)OUT_DIS#11<br>(12)OUT_DIS#12<br>(1L+)PW_POS<br>(2)OUT_DIS#2<br>(2L+)PW_POS<br>(3)OUT_DIS#3<br>(4)OUT_DIS#4<br>(5)OUT_DIS#5<br>(6)OUT_DIS#6<br>(7)OUT_DIS#7<br>(8)OUT_DIS#8<br>(9)OUT_DIS#9<br>TB_1 |
| Current consumption           | 180 mA 24 V DC   |
| Depth                         | 47.5 mm  |
| Height                        | 141.5 mm   |
| Width                         | 125 mm   |
| Product weight                | 0.26 kg  |

## Okolina

|                                       |   |
|---------------------------------------|---|
| product certifications                | CSA<br>FM Class 1 Division 2<br>UL              |
| resistance to electrostatic discharge | 4 kV contact IEC 801-2<br>8 kV on air IEC 801-2 |
| resistance to electromagnetic fields  | 10 V/m 80...1000 MHz IEC 801-3                  |
| ambient air temperature for operation | 0...60 °C                                       |
| ambient air temperature for storage   | -40...85 °C                                     |
| relative humidity                     | 95 % without condensation                       |
| operating altitude                    | <= 5000 m                                       |

## Offer Sustainability

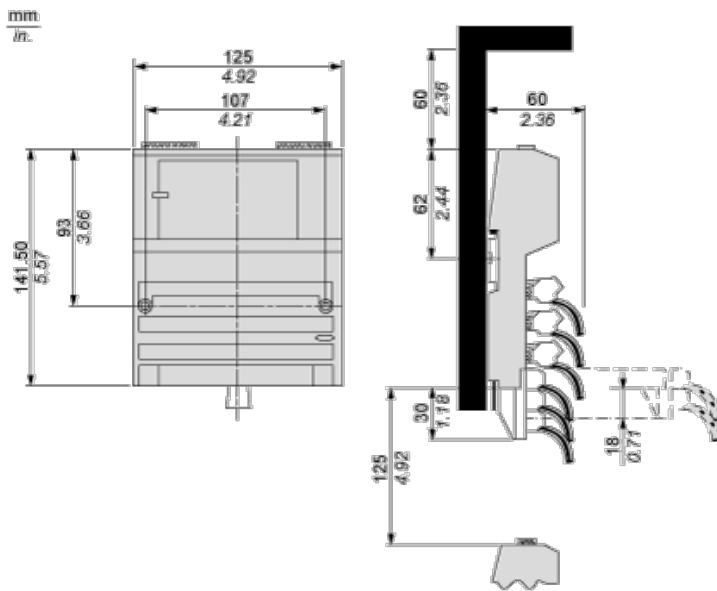
|   |   |
|---|---|
| Green Premium product   | Green Premium product   |
| Compliant - since 0901 - Schneider Electric declaration of conformity | Compliant - since 0901 - Schneider Electric declaration of conformity |
| Reference not containing SVHC above the threshold                     | Reference not containing SVHC above the threshold                     |
| Available   | Available   |
| Available   | Available   |

## Contractual warranty

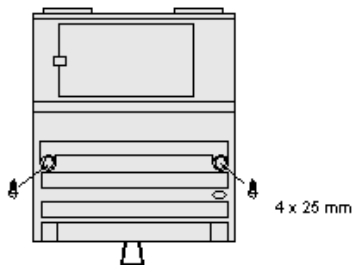
|                 |           |
|-----------------|-----------|
| Warranty period | 18 months |
|-----------------|-----------|

## Standard Adapter on a Typical Base

### Dimensions

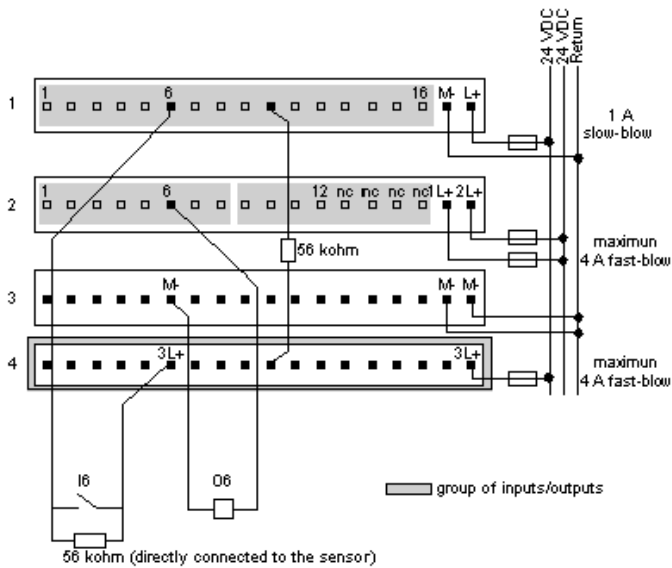


## Mounting on a Wall

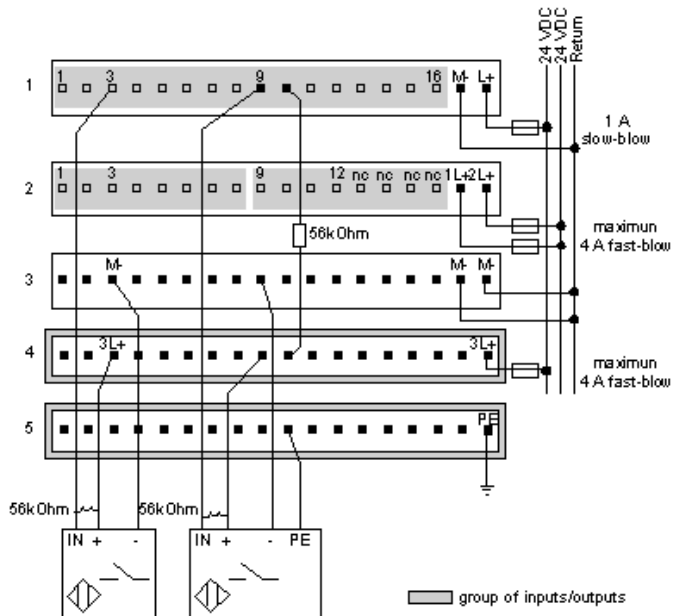


## External Wiring Diagrams

### 2-Wire Devices



### 3- and 4-Wire Devices



### Internal Pin Connections

Rows 1 through 3 show the internal connections between terminals on the I/O base. Rows 4 through 5 show the internal connections on the optional busbar.

