

## 170ADI74050

odvojeni ulazni modul Modicon Momentum – 16 ulaza  
200..240 V AC



### Glavno

Range of product	Modicon Momentum automation platform
Product or component type	Discrete inputs base AC
Group of channels	2 groups of 8 inputs
Discrete input number	16 IEC 1131-2 Type 2
Discrete input voltage	230 V AC
Protective treatment	TC

### Komplementarno

Discrete input logic	Positive
Input voltage limits	164...253 V
Network frequency	47...63 Hz
Voltage range	163...253 V
Voltage state 0 guaranteed	<= 40 V
Voltage state 1 guaranteed	>= 164 V
Current state 0 guaranteed	<= 2 mA
Current state 1 guaranteed	>= 10 mA
Input resistance	7.5 kOhm 60 Hz 9 kOhm 50 Hz
Response time	13.3 ms 60 Hz from state 0 to state 1 13.3 ms 60 Hz from state 1 to state 0
Isolation between group	1780 V AC
Isolation between channels and bus	1780 V AC
Terminals description PLC n°1	(1)IN_DIS#1 (10)IN_DIS#10 (11)IN_DIS#11 (12)IN_DIS#12 (13)IN_DIS#13 (14)IN_DIS#14 (15)IN_DIS#15 (16)IN_DIS#16 (2)IN_DIS#2 (3)IN_DIS#3 (4)IN_DIS#4 (5)IN_DIS#5 (6)IN_DIS#6 (7)IN_DIS#7 (8)IN_DIS#8 (9)IN_DIS#9 (L1)PW (N)PW TB
Marking	CE
Local signalling	16 LEDs channel status
Current consumption	<= 125 mA 230 V AC
Depth	47.5 mm
Height	141.5 mm
Width	125 mm
Product weight	0.284 kg

Informacije dane u ovoj dokumentaciji sadrže opće opise i/ili tehničke karakteristike o performansama ovdje sadržanih proizvoda.  
Ova dokumentacija nije namijenjena kao zamjena za niti bi se trebala koristiti za određivanje prikladnosti ili pouzdanosti predmetnih proizvoda za konkretne korisničke primjene.  
Svaki takav korisnik ili integrator dužan je provesti odgovarajuću i potpunu analizu rizika, procjenu i ispitivanje proizvoda u odnosu na odgovarajuću specifičnu primjenu ili uporabu istog.  
Niti društvo Schneider Electric Industries SAS niti bilo koje od njegovih povezanih poduzeća ili podružnica neće preuzeti obvezu ili snositi odgovornost za pogrešnu upotrebu ovdje sadržanih informacija.

## Okolina

product certifications	CSA UL
resistance to electrostatic discharge	4 kV contact IEC 801-2 8 kV on air IEC 801-2
resistance to electromagnetic fields	10 V/m 80...1000 MHz IEC 801-3
ambient air temperature for operation	0...60 °C
ambient air temperature for storage	-40...85 °C
relative humidity	95 % without condensation
operating altitude	<= 5000 m

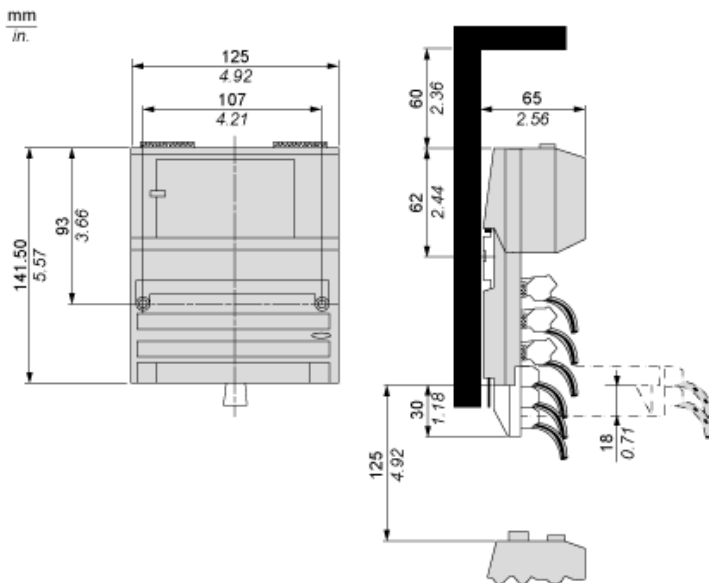
## Offer Sustainability

Green Premium product	Green Premium product
Compliant - since 1350 - Schneider Electric declaration of conformity	Compliant - since 1350 - Schneider Electric declaration of conformity
Reference not containing SVHC above the threshold	Reference not containing SVHC above the threshold
Available	Available
Available	Available

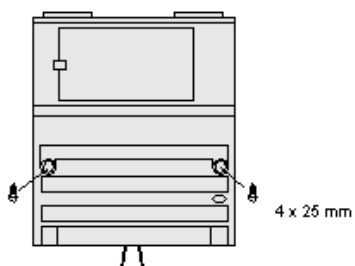
## Contractual warranty

Warranty period	18 months
-----------------	-----------

## Standard Adapter on a Discrete VAC Base

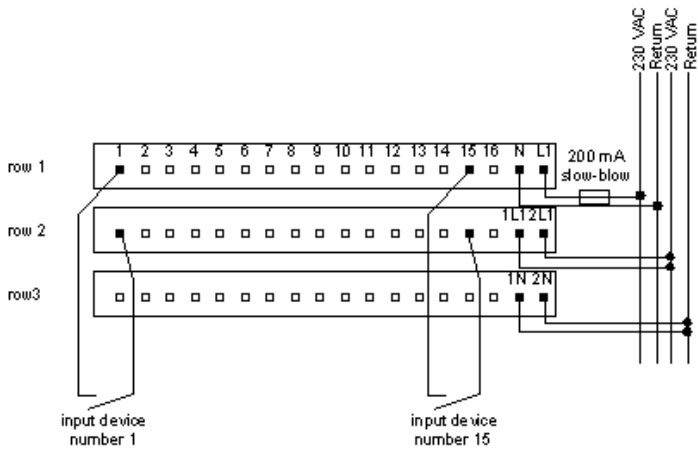


## Mounting on a Wall

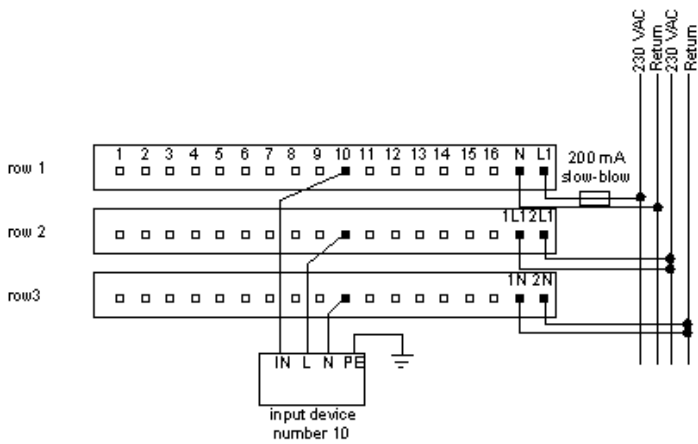


## External Wiring Diagrams

## 2-Wire Devices



## 3-Wire Device



## Internal Pin Connections

