

170ADI54050

odvojeni ulazni modul Modicon Momentum – 16 ulaza
100..120 V AC



Glavno

| | |
|---------------------------|--------------------------------------|
| Range of product | Modicon Momentum automation platform |
| Product or component type | Discrete inputs base AC |
| Group of channels | 2 groups of 8 inputs |
| Discrete input number | 16 IEC 1131-2 Type 2 |
| Discrete input voltage | 120 V AC |
| Protective treatment | TC |

Komplementarno

| | |
|------------------------------------|---|
| Discrete input logic | Positive |
| Input voltage limits | 85...132 V |
| Network frequency | 47...63 Hz |
| Voltage range | 0...132 V |
| Voltage state 0 guaranteed | <= 20 V |
| Voltage state 1 guaranteed | >= 74 V |
| Current state 0 guaranteed | <= 2 mA |
| Current state 1 guaranteed | >= 10 mA |
| Input resistance | 7.5 kOhm 60 Hz 9.5 kOhm 50 Hz |
| Response time | 10 ms 60 Hz from state 0 to state 1 35 ms 60 Hz from state 1 to state 0 |
| Isolation between group | 1780 V AC |
| Isolation between channels and bus | 1780 V AC |
| Terminals description PLC n°1 | (1)IN_DIS#1 (10)IN_DIS#10 (11)IN_DIS#11 (12)IN_DIS#12 (13)IN_DIS#13 (14)IN_DIS#14 (15)IN_DIS#15 (16)IN_DIS#16 (2)IN_DIS#2 (3)IN_DIS#3 (4)IN_DIS#4 (5)IN_DIS#5 (6)IN_DIS#6 (7)IN_DIS#7 (8)IN_DIS#8 (9)IN_DIS#9 (L1)PW (N)PW TB |
| Marking | CE |
| Local signalling | 16 LEDs channel status |
| Current consumption | <= 125 mA 120 V AC |
| Depth | 47.5 mm |
| Height | 141.5 mm |
| Width | 125 mm |
| Product weight | 0.284 kg |

Informacije dane u ovoj dokumentaciji sadrže opće opise i/ili tehničke karakteristike o performansama ovdje sadržanih proizvoda.
Ova dokumentacija nije namijenjena kao zamjena za niti bi se trebala koristiti za određivanje prikladnosti ili pouzdanosti predmetnih proizvoda za konkretne korisničke primjene.
Svaki takav korisnik ili integrator dužan je provesti odgovarajuću i poplunu analizu rizika, procjenu i ispitivanje proizvoda u odnosu na odgovarajuću specifičnu primjenu ili uporabu istog.
Niti društvo Schneider Electric Industries SAS niti bilo koje od njegovih povezanih poduzeća ili podružnica neće preuzeti obvezu ili snositi odgovornost za pogrešnu upotrebu ovdje sadržanih informacija.

Okolina

| | |
|---------------------------------------|---|
| product certifications | CSA FM Class 1 Division 2 UL |
| resistance to electrostatic discharge | 4 kV contact IEC 801-2 8 kV on air IEC 801-2 |
| resistance to electromagnetic fields | 10 V/m 80...1000 MHz IEC 801-3 |
| ambient air temperature for operation | 0...60 °C |
| ambient air temperature for storage | -40...85 °C |
| relative humidity | 95 % without condensation |
| operating altitude | <= 5000 m |

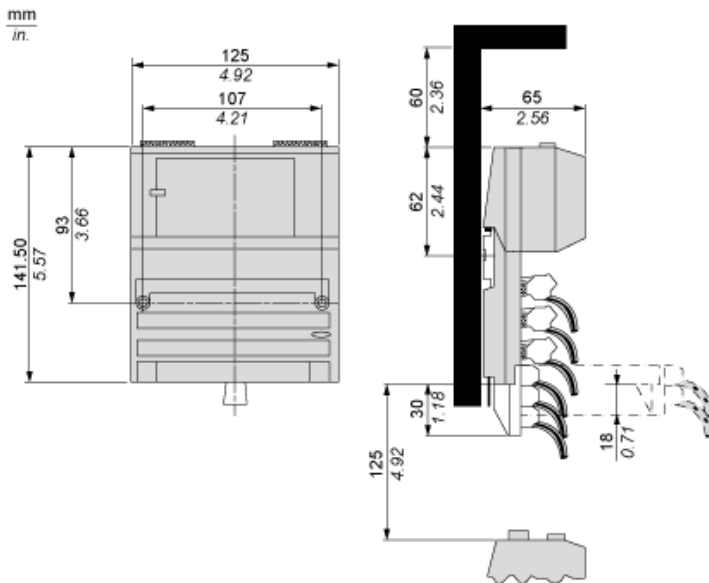
Offer Sustainability

| | |
|---|---|
| Green Premium product | Green Premium product |
| Compliant - since 1350 - Schneider Electric declaration of conformity | Compliant - since 1350 - Schneider Electric declaration of conformity |
| Reference not containing SVHC above the threshold | Reference not containing SVHC above the threshold |
| Available | Available |
| Available | Available |

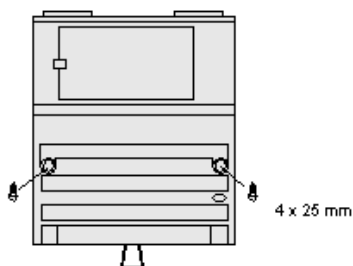
Contractual warranty

| | |
|-----------------|-----------|
| Warranty period | 18 months |
|-----------------|-----------|

Standard Adapter on a Discrete VAC Base

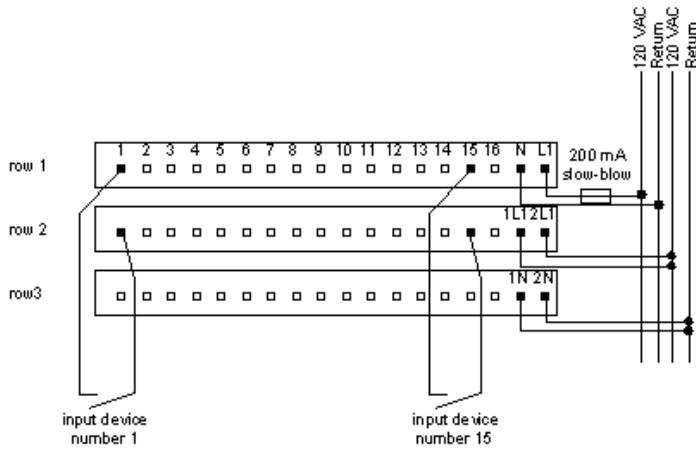


Mounting on a Wall

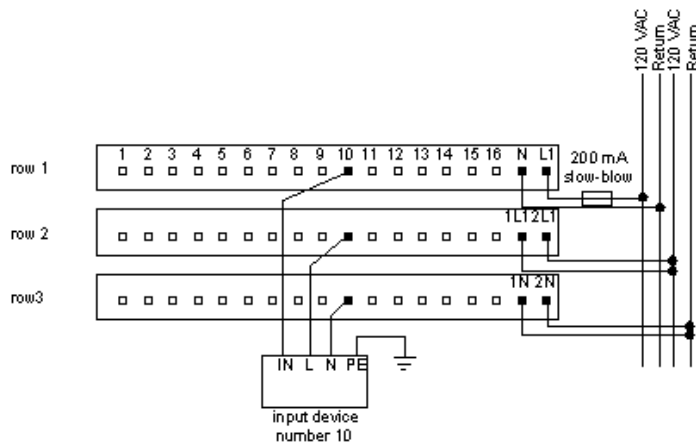


External Wiring Diagrams

2-Wire Devices



3-Wire Device



Internal Pin Connections

