

170ADI35000C

odvojeni ulazni modul Modicon Momentum –
Konformna obloga – 32 ulaza 24 V DC



Glavno

Range of product	Modicon Momentum automation platform
Product or component type	Discrete inputs base DC
Group of channels	2 groups of 16 inputs
Discrete input number	32 IEC 1131-2 Type 1
Discrete input voltage	24 V DC
Protective treatment	Conformal coating Humiseal 1A33 TC

Komplementarno

Discrete input logic	Positive
Input voltage limits	24 V
Voltage range	- 3...30 V
Voltage state 0 guaranteed	-3...5 V
Voltage state 1 guaranteed	11...30 V
Current state 0 guaranteed	<= 1.2 mA
Current state 1 guaranteed	>= 2.5 mA
Input resistance	4 kOhm
Response time	2.2 ms from state 0 to state 1 3.3 ms from state 1 to state 0
Isolation between channels and bus	500 V AC
Power dissipation	5.5 W typical 8.5 W maximum
Marking	CE
Local signalling	32 LEDs channel status
Current consumption	<= 250 mA 24 V DC
Depth	47.5 mm
Height	141.5 mm
Width	125 mm
Product weight	0.2 kg

Okolina

product certifications	CSA UL
resistance to electrostatic discharge	4 kV contact IEC 801-2 8 kV on air IEC 801-2
resistance to electromagnetic fields	10 V/m 80...1000 MHz IEC 801-3
ambient air temperature for operation	0...60 °C
ambient air temperature for storage	-40...85 °C
relative humidity	95 % without condensation
operating altitude	<= 5000 m

Offer Sustainability

Green Premium product	Green Premium product
-----------------------	-----------------------

Informacije dane u ovoj dokumentaciji sadrže opće opise i/ili tehničke karakteristike o performansama ovdje sadržanih proizvoda.
 Ova dokumentacija nije namijenjena kao zamjena za niti bi se trebala koristiti za određivanje prikladnosti ili pouzdanosti predmetnih proizvoda za konkretne korisničke primjene.
 Svaki takav korisnik ili integrator dužan je provesti odgovarajuću i potpunu analizu rizika, procjenu i ispitivanje proizvoda u odnosu na odgovarajuću specifičnu primjenu ili uporabu istog.
 Niti društvo Schneider Electric, Industries SAS niti bilo koje od njegovih povezanih poduzeća ili podružnica neće preuzeti obvezu ili snositi odgovornost za pogrešnu upotrebu ovdje sadržanih informacija.

Compliant - since 1350 - Schneider Electric declaration of conformity Compliant - since 1350 - Schneider Electric declaration of conformity

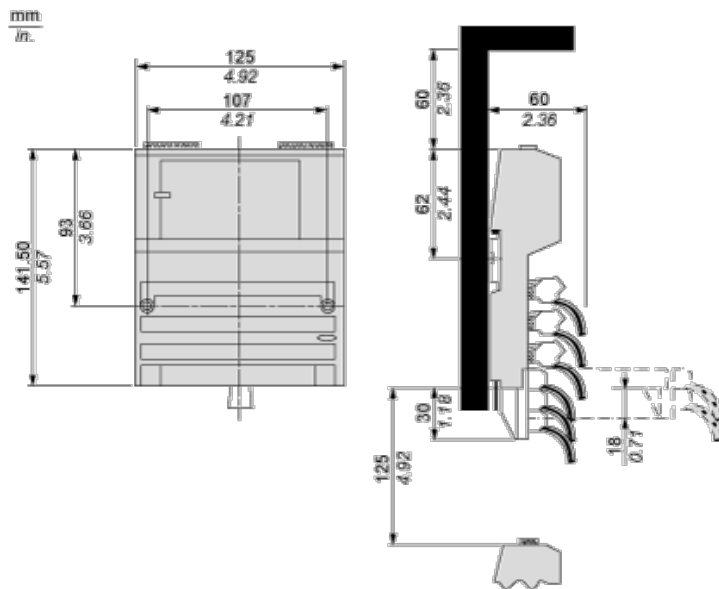
Reference not containing SVHC above the threshold	Reference not containing SVHC above the threshold
Available	Available
Available	Available

Contractual warranty

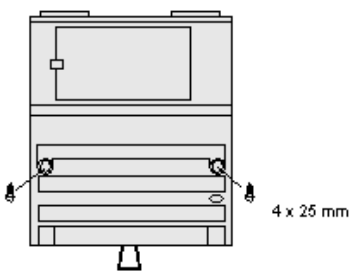
Warranty period	18 months
-----------------	-----------

Standard Adapter on a Typical Base

Dimensions

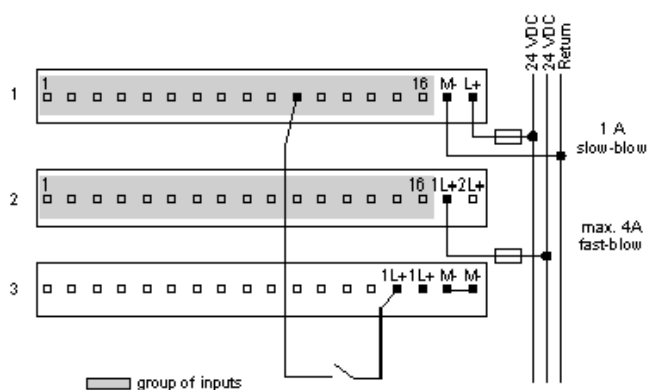


Mounting on a Wall

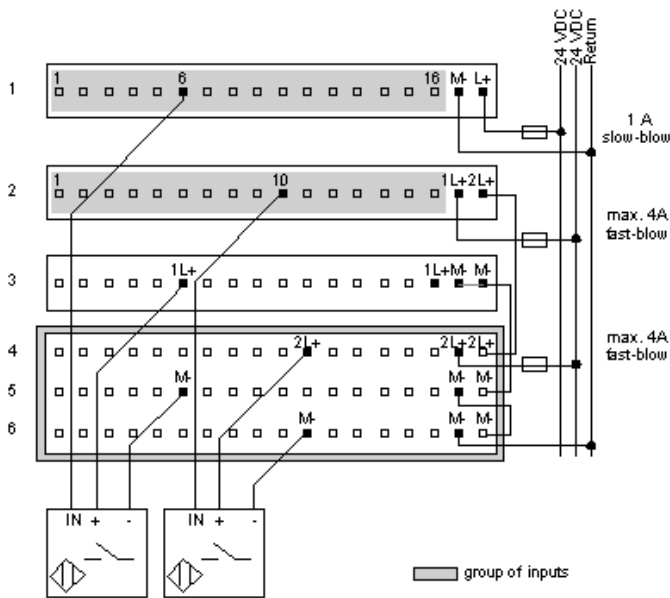


External Wiring Diagrams

2-Wire Device



3-Wire Devices



Internal Pin Connections

Rows 1 through 3 show the internal connections between terminals on the I/O base. Rows 4 through 6 show the internal connections on the optional busbar.

