

## 170AAO92100

distribuirani analogni izlaz Modicon Momentum – 4  
izlaza 4..20 mA



### Glavno

Range of product	Modicon Momentum automation platform
Product or component type	Analogue output base

### Komplementarno

Analogue output number	4
Data format	Full 16 bits signed
Analogue output range	+/- 10 V 12 bits + sign >= 1 kOhm 4...20 mA 12 bits + sign <= 0.6 kOhm
Load capacitance	< 1 µF
Absolute accuracy error	+/- 0.2 % of full scale +/- 10 V 25 °C +/- 0.25 % full scale +/- 10 V 60 °C +/- 0.4 % of full scale 4...20 mA 25 °C +/- 0.5 % of full scale 4...20 mA 60 °C
Temperature drift	10 %oFS/°C +/- 10 V 60 °C 30 %oFS/°C 4...20 mA 60 °C
Update time	2 ms
Full scale	10 V +/- 10 V 2 mA 4...20 mA
Fail state	Hold Reset to full scale Reset to zero
Isolation between channels and ground	500 V AC for 1 minute
Power dissipation in W	<= 8.5 W
Protection type	Internal 2 A slow-blow
Output short-circuit protection	With in voltage circuit
External power requirement	+/- 30 V DC 24 V DC
Permissible common mode voltage	250 V 47...63 Hz AC between channels to ground 250 V 47...63 Hz DC
Reverse polarity protection	Internal
Marking	CE
Local signalling	4 LEDs channel status
Current consumption	150 mA 24 V DC actuator 530 mA 24 V DC base
Module format	Standard
Height	125 mm
Depth	47.5 mm
Width	141.5 mm
Product weight	0.215 kg

### Okolina

Informacije dane u ovoj dokumentaciji sadrže opće opise i/ili tehničke karakteristike o performansama ovdje sadržanih proizvoda. Ova dokumentacija nije namijenjena kao zamjena za niti bi se trebala koristiti za određivanje prikladnosti ili pouzdanosti predmetnih proizvoda za konkretne korisničke primjene. Svaki takav korisnik ili integrator dužan je provesti odgovarajuću i poipunu analizu rizika, procjenu i ispitivanje proizvoda u odnosu na odgovarajuću specifičnu primjenu ili uporabu istog. Niti društvo Schneider Electric, Industries SAS niti bilo koje od njegovih povezanih poduzeća ili podružnica neće preuzeti obvezu ili snositi odgovornost za pogrešnu upotrebu ovdje sadržanih informacija.

product certifications	CSA UL
protective treatment	TC
resistance to electrostatic discharge	4 kV contact IEC 801-2 8 kV on air IEC 801-2
resistance to electromagnetic fields	10 V/m 80...1000 MHz IEC 801-3
ambient air temperature for operation	0...60 °C
ambient air temperature for storage	-40...85 °C
relative humidity	95 % without condensation
operating altitude	<= 5000 m

## Offer Sustainability

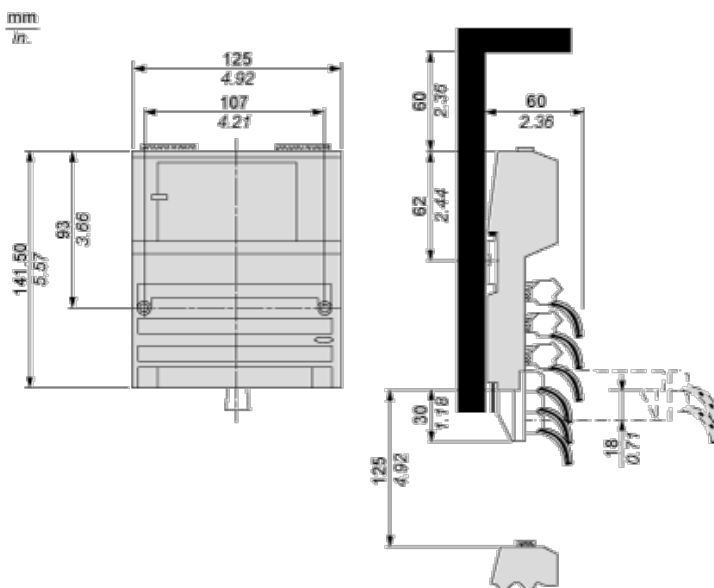
Green Premium product	Green Premium product
Compliant - since 1350 - Schneider Electric declaration of conformity	Compliant - since 1350 - Schneider Electric declaration of conformity
Reference not containing SVHC above the threshold	Reference not containing SVHC above the threshold
Available	Available
Available	Available

## Contractual warranty

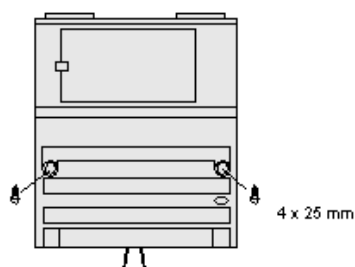
Warranty period	18 months
-----------------	-----------

## Standard Adapter on a Typical Base

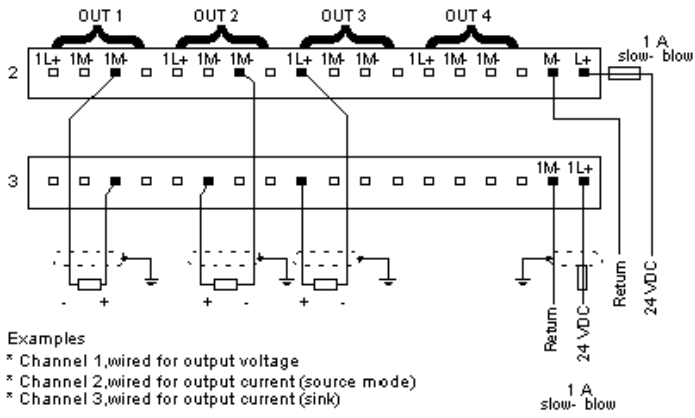
### Dimensions



## Mounting on a Wall



## External Wiring Diagram



## Internal Pin Connections

