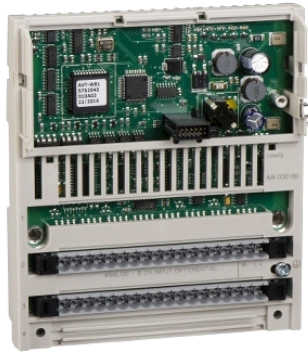


170AAI52040

distribuirani analogni ulaz Modicon Momentum – 4
ulaza



Glavno

Range of product	Modicon Momentum automation platform
Product or component type	Analogue input base
Analogue input number	4
Analogue input type	Differential
Analogue input range	+/- 100 mV 15 bits + sign > 10000 kOhm +/- 25 mV 15 bits + sign > 10000 kOhm
Thermocouple type	Thermocouple B Thermocouple E Thermocouple J Thermocouple K Thermocouple N Thermocouple R Thermocouple S Thermocouple T

Komplementarno

Data format	Full 16 bits signed
Absolute accuracy error	+/- 21 μ V 25 °C +/- 25 mV +/- 27 μ V 25 °C +/- 100 mV +/- 46 μ V 60 °C +/- 25 mV +/- 94 μ V 60 °C +/- 100 mV
Temperature probe type	Ni 100 0.125 mA +/- 25 mV Ni 1000 0.125 mA +/- 100 mV Pt 100 0.125 mA +/- 25 mV Pt 1000 0.125 mA +/- 100 mV
Update time	500 ms
Isolation between channels	400 V DC
Isolation between channels and ground	500 V AC for 1 minute
Isolation between supply and ground	500 V for 1 minute
Permissible common mode voltage	100 V DC between channels to ground 115 V AC single or three phases between channels 200 V DC between channels 250 V AC between channels to ground 250 V AC single phase between channels
Common mode rejection	120 dB DC between channels 130 dB 50 Hz AC between channels 135 dB DC between channels to ground 140 dB 60 Hz AC between channels 145 dB 50 Hz AC between channels to ground 155 dB 60 Hz AC between channels to ground
Serial mode rejection	35 dB 50 Hz AC 45 dB 60 Hz AC
External power requirement	+/- 30 V DC
Power dissipation in W	<= 5.5 W
Reverse polarity protection	Internal
Protection type	Internal 2 A slow-blow
Associated fuse rating	500 mA fast blow
Marking	CE
Local signalling	4 LEDs channel status
Electrical connection	2 connectors for removable terminal blocks
Current consumption	305 mA 24 V DC
Depth	47.5 mm

Informacije dane u ovoj dokumentaciji sadrže opće opise i/ili tehničke karakteristike o performansama ovdje sadržanih proizvoda. Ova dokumentacija nije namijenjena kao zamjena za niti bi se trebala koristiti za određivanje prikladnosti ili pouzdanosti predmetnih proizvoda za konkretne korisničke primjene. Svaki takav korisnik ili integrator dužan je provesti odgovarajuću i poplunu analizu rizika, procjenu i ispitivanje proizvoda u odnosu na odgovarajuću specifičnu primjenu ili uporabu istog. Niti društvo Schneider Electric Industries SAS niti bilo koje od njegovih povezanih poduzeća ili podružnica neće preuzeti obvezu ili snositi odgovornost za pogrešnu upotrebu ovdje sadržanih informacija.

Height	125 mm
Width	141.5 mm
Product weight	0.215 kg

Okolina

product certifications	CSA FM Class 1 Division 2 UL
protective treatment	TC
resistance to electrostatic discharge	4 kV contact IEC 801-2 8 kV on air IEC 801-2
resistance to electromagnetic fields	10 V/m 80...1000 MHz IEC 801-3
ambient air temperature for operation	0...60 °C
ambient air temperature for storage	-40...85 °C
relative humidity	95 % without condensation
operating altitude	<= 5000 m

Offer Sustainability

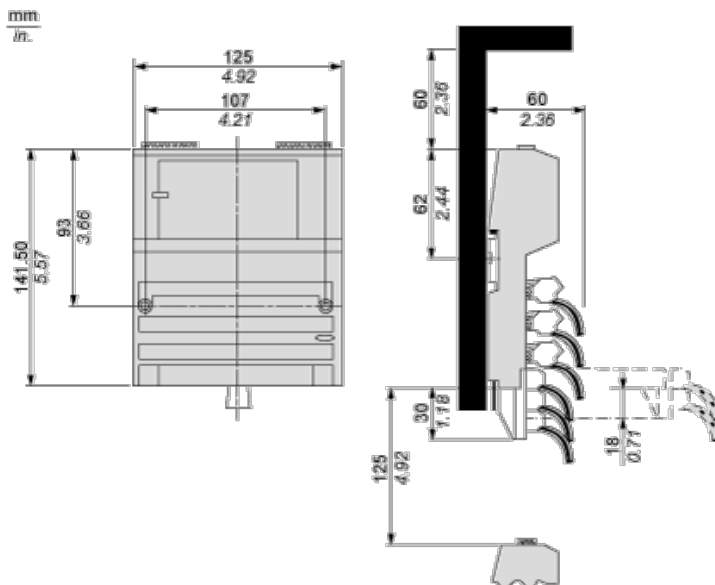
Green Premium product	Green Premium product
Compliant - since 1350 - Schneider Electric declaration of conformity	Compliant - since 1350 - Schneider Electric declaration of conformity
Reference not containing SVHC above the threshold	Reference not containing SVHC above the threshold
Available	Available
Available	Available

Contractual warranty

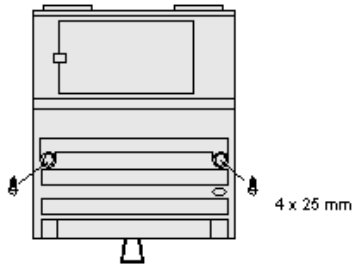
Warranty period	18 months
-----------------	-----------

Standard Adapter on a Typical Base

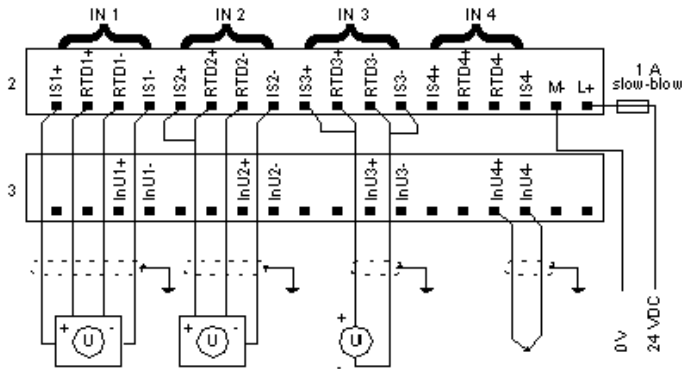
Dimensions



Mounting on a Wall



External Wiring Diagram



Examples

- * Channel 1,RTD input, 4 - wire configuration
- * Channel 2,RTD input, 3 - wire configuration
- * Channel 3,RTD input, 2 - wire configuration
- * Channel 4,thermocouple input

Internal Pin Connections

