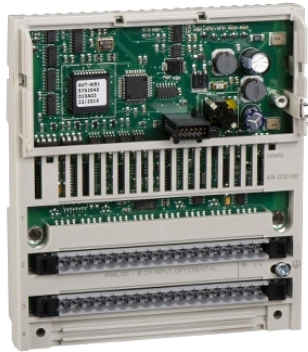


170AAI14000C

distribuirani analogni ulaz Modicon Momentum –
Konformna obloga – 16 ulaza



Glavno

Range of product	Modicon Momentum automation platform
Product or component type	Analogue input base
Analogue input number	16
Analogue input type	Single ended
Analogue input range	+/- 10 V 12 bits + sign > 2200 kOhm +/- 5 V 12 bits + sign > 2200 kOhm 4...20 mA 12 bits + sign < 0.25 Ohm 4...20 mA 12 bits + sign < 0.25 Ohm
Type of filter	Low pass input filter 10 kHz

Komplementarno

Data format	Full 16 bits signed
Absolute accuracy error	+/- 0.15 % of full scale 25 °C +/- 10 V +/- 0.15 % of full scale 25 °C +/- 5 V +/- 0.25 % full scale 25 °C 4...20 mA +/- 0.25 % full scale 60 °C +/- 10 V +/- 0.25 % full scale 60 °C +/- 5 V +/- 0.45 % full scale 60 °C 4...20 mA
Temperature drift	+/- 30 % full scale +/- 10 V 60 °C +/- 30 % full scale +/- 5 V 60 °C +/- 60 % full scale 4...20 mA 60 °C
Update time	25 ms
Isolation between channels and ground	1780 V AC for 1 minute
Isolation between supply and ground	500 V for 1 minute
Permissible common mode voltage	100 V 47...63 Hz DC between channels to ground 250 V 47...63 Hz AC between channels to ground
External power requirement	+/- 30 V DC
Power dissipation in W	<= 5.55 W
Reverse polarity protection	Internal
Protection type	Internal 2 A slow-blow
Associated fuse rating	500 mA fast blow
Marking	CE
Local signalling	16 LEDs channel status
Electrical connection	2 connectors for removable terminal blocks
Current consumption	305 mA 24 V DC
Depth	47.5 mm
Height	125 mm
Width	141.5 mm
Product weight	0.215 kg

Okolina

product certifications	CSA FM Class 1 Division 2 UL
protective treatment	Conformal coating Humiseal 1A33 TC
resistance to electrostatic discharge	4 kV contact IEC 801-2 8 kV on air IEC 801-2

Informacije dane u ovoj dokumentaciji sadrže opće opise i/ili tehničke karakteristike o performansama ovdje sadržanih proizvoda. Ova dokumentacija nije namijenjena kao zamjena za niti bi se trebala koristiti za određivanje prikladnosti ili pouzdanosti predmetnih proizvoda za konkretne korisničke primjene. Svaki takav korisnik ili integrator dužan je provesti odgovarajuću i potpunu analizu rizika, procjenu i ispitivanje proizvoda u odnosu na odgovarajuću specifičnu primjenu ili uporabu istog. Niti društvo Schneider Electric Industries SAS niti bilo koje od njegovih povezanih poduzeća ili podružnica neće preuzeti obvezu ili snositi odgovornost za pogrešnu upotrebu ovdje sadržanih informacija.

resistance to electromagnetic fields	10 V/m 80...1000 MHz IEC 801-3
ambient air temperature for operation	0...60 °C
ambient air temperature for storage	-40...85 °C
relative humidity	95 % without condensation
operating altitude	<= 5000 m

Offer Sustainability

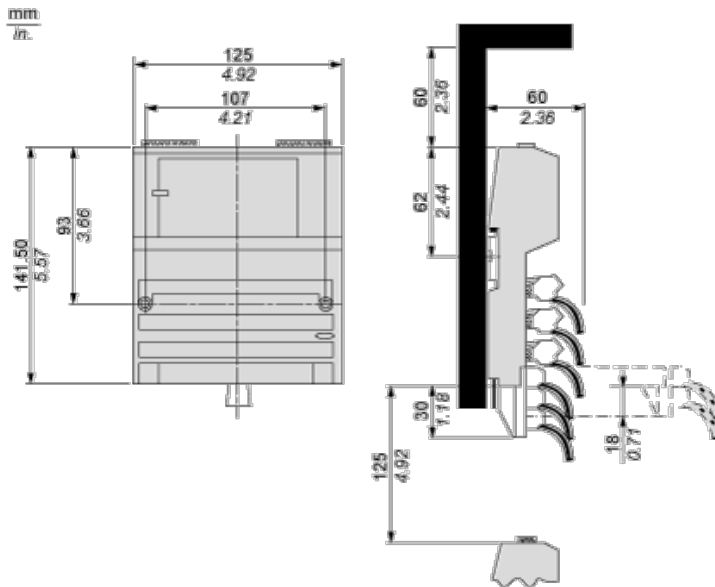
Green Premium product	Green Premium product
Compliant - since 1350 - Schneider Electric declaration of conformity	Compliant - since 1350 - Schneider Electric declaration of conformity
Reference not containing SVHC above the threshold	Reference not containing SVHC above the threshold
Available	Available
Available	Available

Contractual warranty

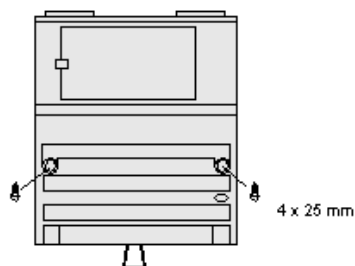
Warranty period	18 months
-----------------	-----------

Standard Adapter on a Typical Base

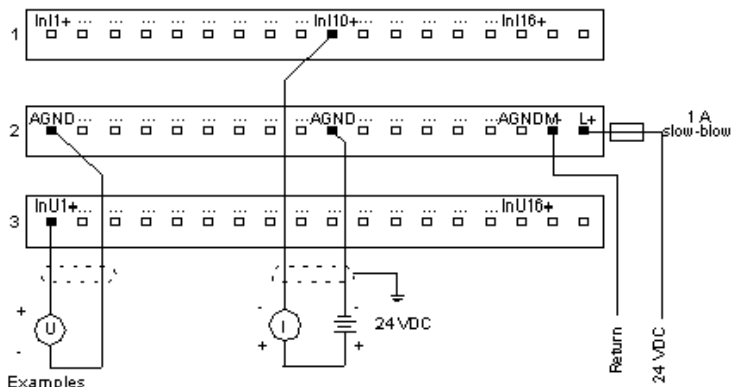
Dimensions



Mounting on a Wall



External Wiring Diagram



- Examples
- * Channel 1, wired for voltage input
 - * Channel 10, wired for current input

Internal Pin Connections

